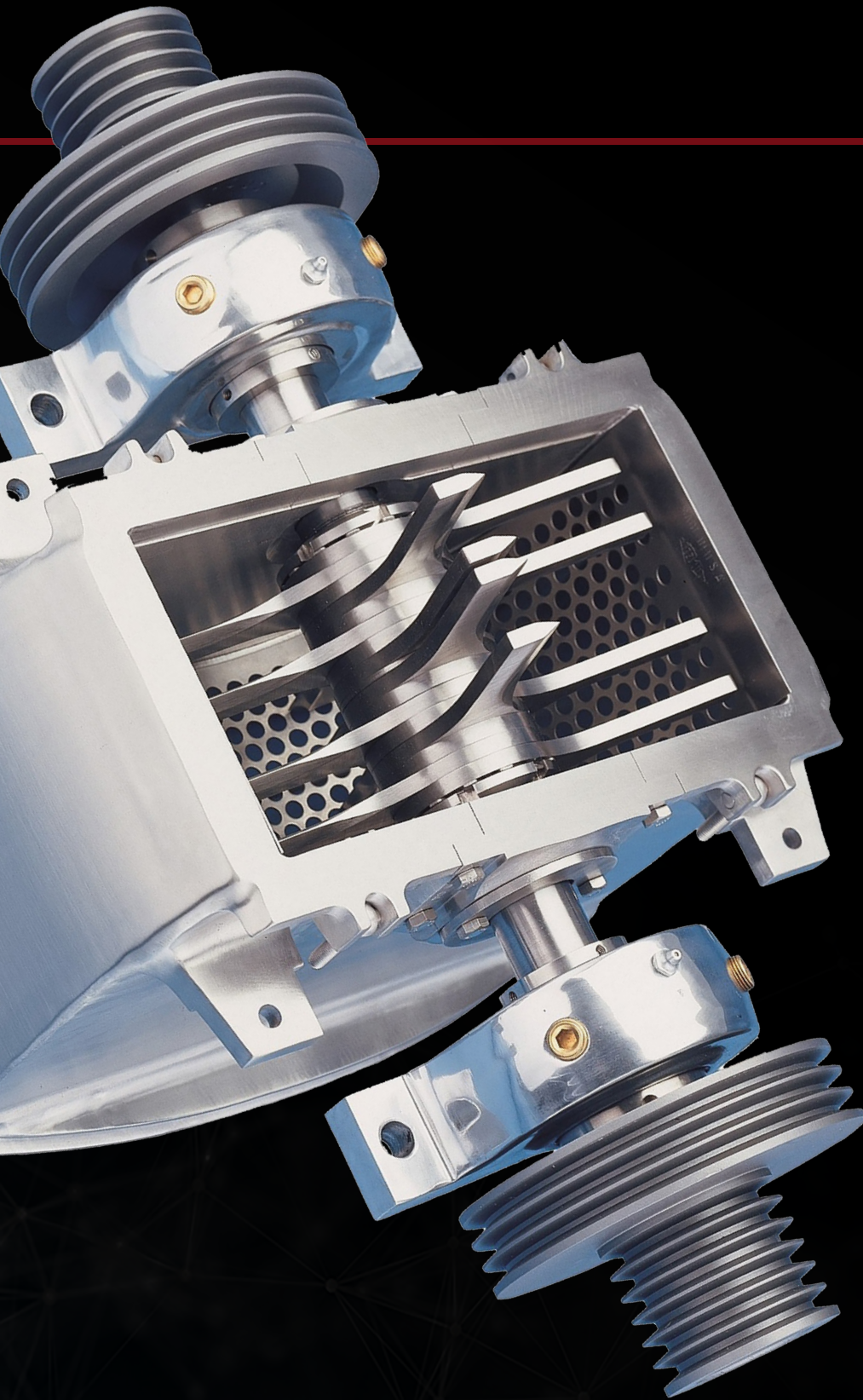


D-SERIES

HIGH-PERFORMANCE HAMMER MILLS



Robust, powerful and
flexible milling solutions

FITZPATRICK

FITZPATRICK D-SERIES HAMMER MILLS

RELIABLE MILLS WITH LONGEVITY FOR A STRONG RETURN-ON-INVESTMENT

Fitzpatrick is committed to improving the performance and profitability of our customers' powder processing operations.

We continually invest in customer-driven innovative solutions and provide long-term global support via our highly technical customer service and spare parts network.

Quality – first & foremost

The original and still the best! Fitzpatrick D-Series mills have been used successfully within the food, nutraceutical & industrial sectors as an efficient means of processing high capacities and consistently achieving reliable particle size distributions.

Quality begins with the FitzMill™ chamber. At the heart of every FitzMill™ is the comminuting chamber, rotor, blades and screen. Fabricated from 420 hardened steel, Fitzpatrick rotors are engineered for industrial long-life usage.

Easy to operate

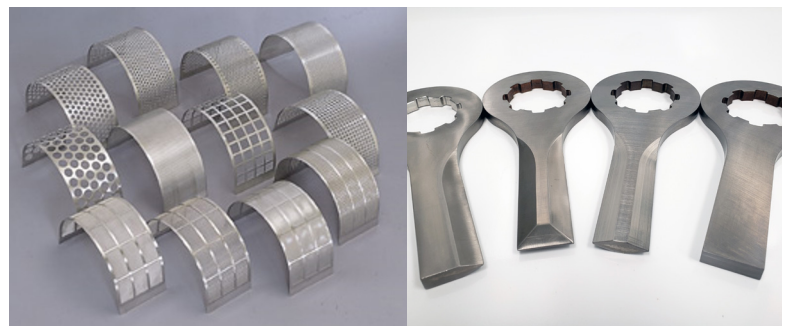
These simple yet exceptionally reliable mills are designed for “plug & play”, making them easy to use and configure.

FitzMills™ are constructed to make the rotor accessible for easy cleaning, inspection and maintenance. Their reliability contributes to low maintenance requirements.

The mill is easily reconfigured to adapt to changing demands & future application requirements by simply substituting selected parts quickly & easily.

Features & benefits

- Cost savings – low operating costs, higher yields and sustained productivity
- Higher quality results – on-target particle size distribution, spanning to 75µm
- Safety (operator & product) - mill housing equipped with safety interlocks to prevent exposure to moving rotors
- Flexibility – choices of screens, blades & throats to fulfill individual design requirements
- Robustness – carbide tips, breaker plates, water jacketed throats, chamber & bearing housings
- Upgrades – XP (Class I & II, Div. I & II), N₂ purging
- Long Life - Built to last for not just years, but for decades



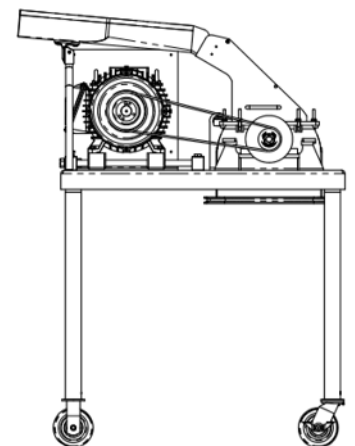
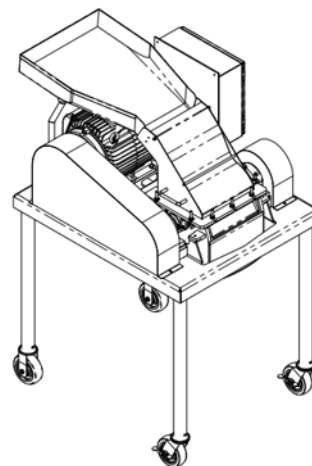
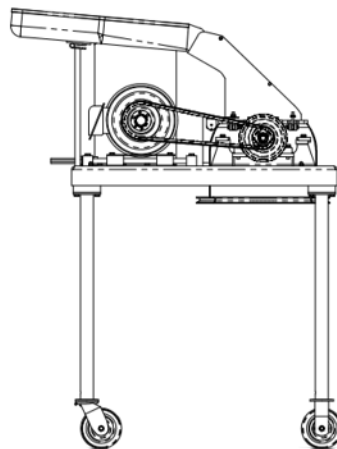
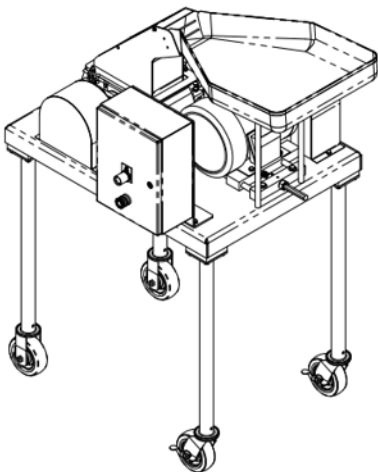
TECHNICAL DATA



DAS06

DKAS012

		DAS06	DKAS012
Dimensions L x W x H	cm (in)	107 x 76 x 168 (42 x 30 x 66)	122 x 81 x 168 (48 x 32 x 66)
Weight	kgs (lbs)	340 (749)	431 (950)
Capacity	kgs / hr (lbs / hr)	Up To 3300 (7275)	Up To 6600 (14,550)
Speed Range	RPM	1000 - 4600 (6000 Option)	1000 - 4600 (6000 Option)
Power (XP & 10 HP Available)	kW (HP)	5.6 (7.5)	11.2 (15)
Nominal Width		6"	12"
Rotor		16 Slide On Blades Blunt & Knife Edge Hardened 420	32 Slide On Blades Blunt & Knife Edge Hardened 420
Control		Fixed - 3 Speed VFD VFD - XP Packages	Fixed - 3 Speed VFD VFD - XP Packages
Discharge	Square	15" x 5"	18" x 18"
Height	Standard	36" (or Adjustable)	36" (or Adjustable)



DAS06 HAMMER MILL

DKAS012 HAMMER MILL

FITZPATRICK WORLD-LEADING EXPERTISE AND SUPPORT



At Fitzpatrick we are committed to improving the performance and profitability of our customer's powder processing operations.

Our customers are supported by world-leading applications and development experts, and we continually invest in customer-driven innovative solutions to address market needs.

We are committed to offering long-term support services through a highly-technical customer service and spare parts network team.

Discover and experience the Fitzpatrick difference!

● Headquarters

● IDEX MPT Centers of Excellence

Representation in over 80 countries worldwide

The Fitzpatrick Company
Tel: +1.519.884.9660
Email: fitzinfo@idexcorp.com
www.fitzpatrick-mpt.com

613 Colby Drive
Waterloo, ON, Canada

D-SERIES 09/20



Fitzpatrick | Matcon | Microfluidics | Quadro | Steridose